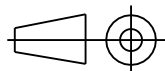
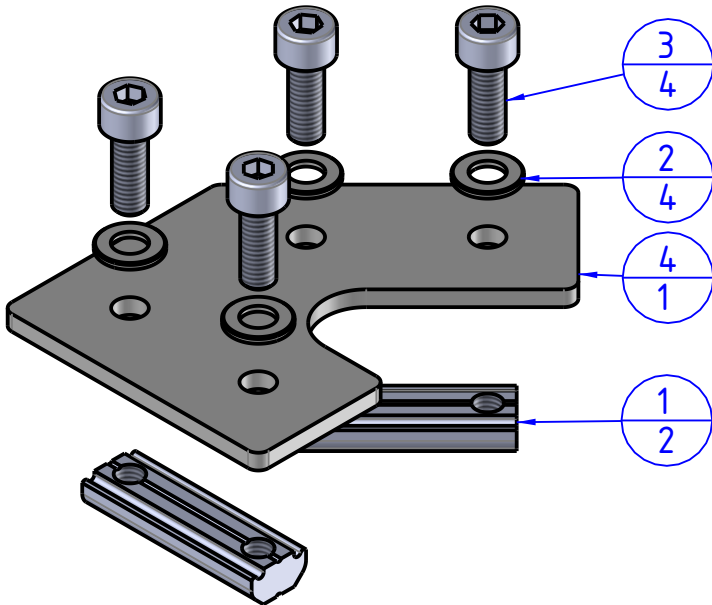
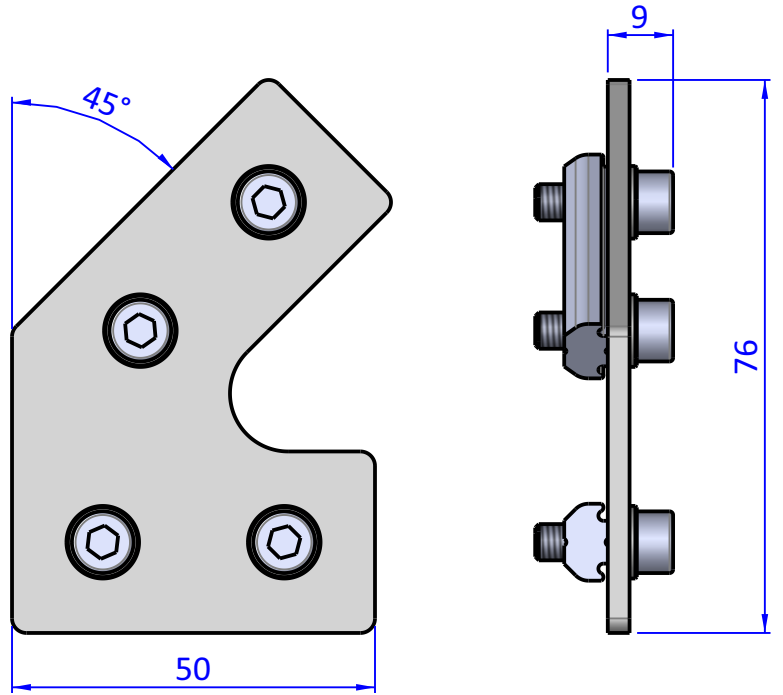


THE PROPERTY OF THE DRAWING IS ESTABLISHED BY LAW. IT IS FORBIDDEN TO PRODUCE OR SHOW IT TO THIRD PART. WITHOUT A WRITTEN AGREEMENT.

Item	Name	Q.ty
1	CA.GWP.5.25	2
2	R.5	4
3	V.TCE5x14	4
4	VBW.X.45	1



DESIGNED FROM	REVIEW
FPS Automation	A

DATE	WEIGHT
03/04/2023	0,105kg

CODE
CA.VBW.X.45

Format A4
UNI 936-76

GENERAL TOLERANCE
UNI - ISO 2768
CLASSE f

DESCRIPTION
CA.VBW.X.45